

The T3020 is an innovative "all-in-one" equipment offering complete DVB

Head-end functionalities with full inputs and outputs MPEG2-TS monitoring.

Key benefits:

- Full integration
- Easy to install, configure and use
- Cutted costs

Functionalities:

- Reception of DVB satellite & terrestrial channels, MPEGoIP channels
- MPEG2-TS filtering and remultiplexing.
- Real-time RF transmission quality measurements
- MPEG2-TS analysis according TR 101 290 and MPEG2 services decoding (by switching the different sources)
- Remote-controlled alarms configuration management through Ethernet TCP/ IP interface.

Digital & Analogue TV Broadcast & Transmission Monitoring & Measurement Equipments & Systems

Corporate Backgrounder

Since 1988 Nortek is one of the leading french manufacturers of professional television equipments dedicated to broadcast networks both for digital (DVB) and analogue TV standards.

Equipments & systems are designed in the Nortek laboratory by team of highly experimeted engineers specialists in radiofrequencies technologies, digital signal processing and embedded softwares.

Nortek equipments are used for transmission, measurement and monitoring applications in terrestrial TV transmitters networks, satellite receiving sites and cable head-ends.

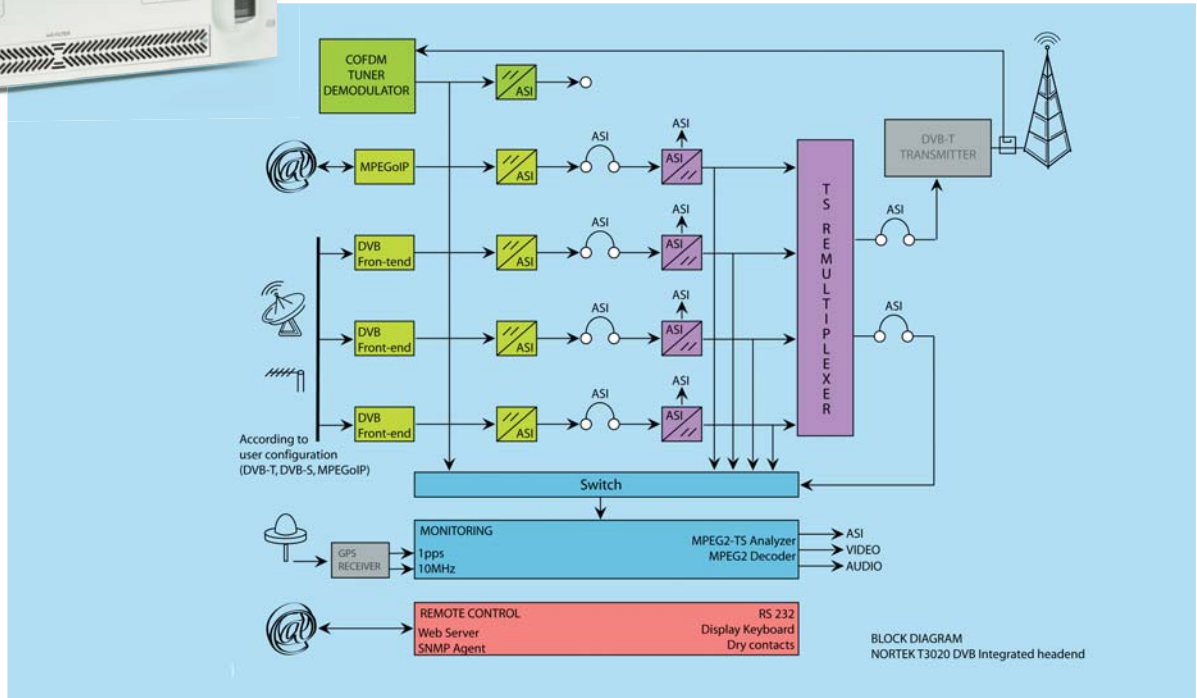
T3020 Integrated DVB Head-end



Features

- "All-in-one" 19" - 4U cabinet
- 4 plugable DVB Front-ends (DVB-S,DVB-T,MPEGoIP,...)
- choice of configuration according to customer requirements
- RF demodulation quality measurements
- TS Remultiplexer - PID filetring & remapping - 2 or 4 ASI inputs configuration
- MPEG2-TS Analysis according to TR 101 290 (source switchable)
- MPEG2 Demultiplexer-decoder-Video Pal,Secam, RGB and audio outputs (source switchable)
- Access to configuration, analysis & measurements data on front panel
- Full remote control through Ethernet 10/100 BaseT TCP/IP interface for services HTTP, FTP, SNMP
- Embedded web server - SNMP agent
- Remote control through RS 232 serial interface - dry contacts alarms
- Option GPS receiver for SFN measurements
- Option redundant power supplies

T 3020 Integrated DVB Head-end



FRONT-ENDS

DVB-T terrestrial front-end

Compliant with ETS 300 - 744 specification
Tunable upon TV frequency bands VHF III and UHF IV-V
Level Input: -75 to -25 dBm
ASI output

DVB-S satellite front-end

Compliant with ETS 300 - 421 specification
Frequency tunable upon 950-2150 MHz frequency band
Input level: -65 to -25 dBm
ASI output
The equipment performs permanently RF signals quality measurements.

MPEG2-TS REMULTIPLEXER

Loop-through 2 or 4 ASI inputs - 2 ASI outputs
PID filtering and PID re-mapping facility
Handling of the PAT, PMT, SDT and NIT tables, facility for inserting user packets
24 on-off switchable automatic PCR correctors.

MPEG2-TS ANALYSIS-DECODING

The TS inputs of the remultiplexer (front-ends outputs) and the TS output of the remultiplexer can be switched to the monitoring subset. The MPEG2-TS signal is analysed according to TR 101 290. List of services and table of alarms are provided. The elementary audio and video MPEG stream selected by the user are decoded; Video Pal, Secam, RGB and audio outputs are provided.

ALARMS-DRY CONTACTS

1 (or more) alarm is provided for each measurement. The alarm threshold can be user set individually.
4 synthesis alarms are provided to allow the combination of 2 or more alarms according to a table defined by the user.

REMOTE CONTROL

Full remote control through Ethernet 10/100 BaseT TCP/IP interface for services HTTP, FTP, SNMP
Embedded web server - SNMP agent
Remote control through RS 232 serial interface - alarms dry contacts.

DOWNLOADING

All embedded softwares can be downloaded through remote control access (RS232 or Ethernet).

GENERAL SPECIFICATIONS

Power Supply: 115 - 240 V AC, 47 - 60 Hz
Consumption: < 100 VA
Physical dimensions : 19" 4UH:
Width: 430 mm
Operating temperature: 0 to +50°C

ORDERING DESIGNATION

T3020 1: Integrated DVB Head-end

Number and types of front-ends (1 to 4) to be specified with order
Number of TS remultiplexer inputs (2 or 4) to be specified with order

Options: Embedded GPS Receiver / 2 redundant power supplies

Revision: August 2007 • Technical specifications are subject to change without prior notice



20, av. Neil Armstrong - F-33700 Bordeaux-Mérignac-France
Tél.: +33 (0)557 928 928 • Fax : +33 (0)557 928 929 • contact@audemat.com



US office :

9595 NE 10th Av. Suite A - Miami, Florida 33179 • Tél.: +1 (305)249 3110 • Fax: +1 (305)249 3113 • ussales@audemat.com

Chinese office :

Room N.21, Unit 2, N.13 Ti-Yu-Guan Street Chongwen District Beijing 100061 P.R.China • Tél.: +86 (0)1067703330 • Mobile : +86 (0)13911019593 • Luo@audemat.com